



PIA MEDITEC® F-MAP (Flexible-ManualAssemblyPlace)



- Flexible use of different processes (e.g. pressing, laser, adhering, etc.)
- Short retooling times for different variants thanks to the PIA clictec® system
- Fast production of clinical samples - short time to market

The manual work stations are designed with flexibility and ergonomics in mind and are based on a standardised basic design.



MANUAL WORKSTATION FOR HEALTHCARE INDUSTRY

PIA's manual work stations enable small numbers of parts to be manufactured economically and ergonomically while maintaining an excellent level of process reliability at the same time. These work stations stand for short set-up times and flexible adaptation to other product types. Extensions of the system to new device types can be done by the operator. New conversion kits are available at short notice and reduce the time-to-market. Standardized qualification and documentation are prepared.



Being ahead with the meditec® manual work

- Flexible use of different processes (e.g. pressing, laser, adhering, etc.)
- Short retooling times for different variants thanks to the PIA clictec® system
- Fast production of clinical samples - short time to market
- Numerous reports of process and machine data
- Flexible connection to customer IT systems

Technical specification:

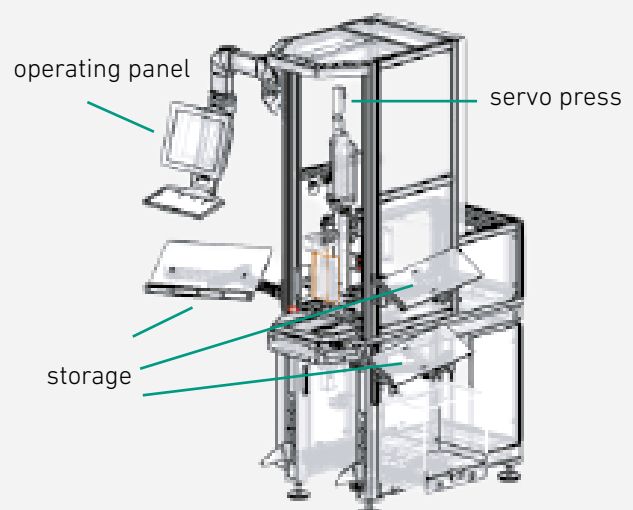
- Module size 1000mm x 1500mm
- Module height Min. 2100 mm
- Table height 980 mm

Miscellaneous:

- integrated operation system (HMI)
- integrated control cabinets
- free access to processes via light curtain
- simple operation (multilingual)

Optional:

- clictec® system
- laser protection version
- painting according to customer standards



Contact:

sales@piagroup.com

www.piagroup.com